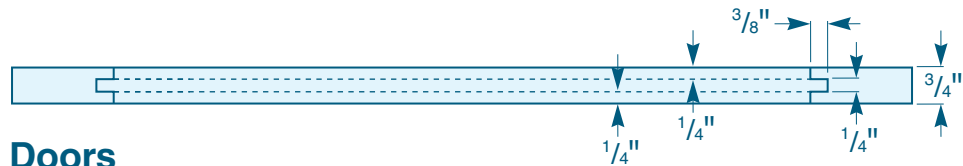


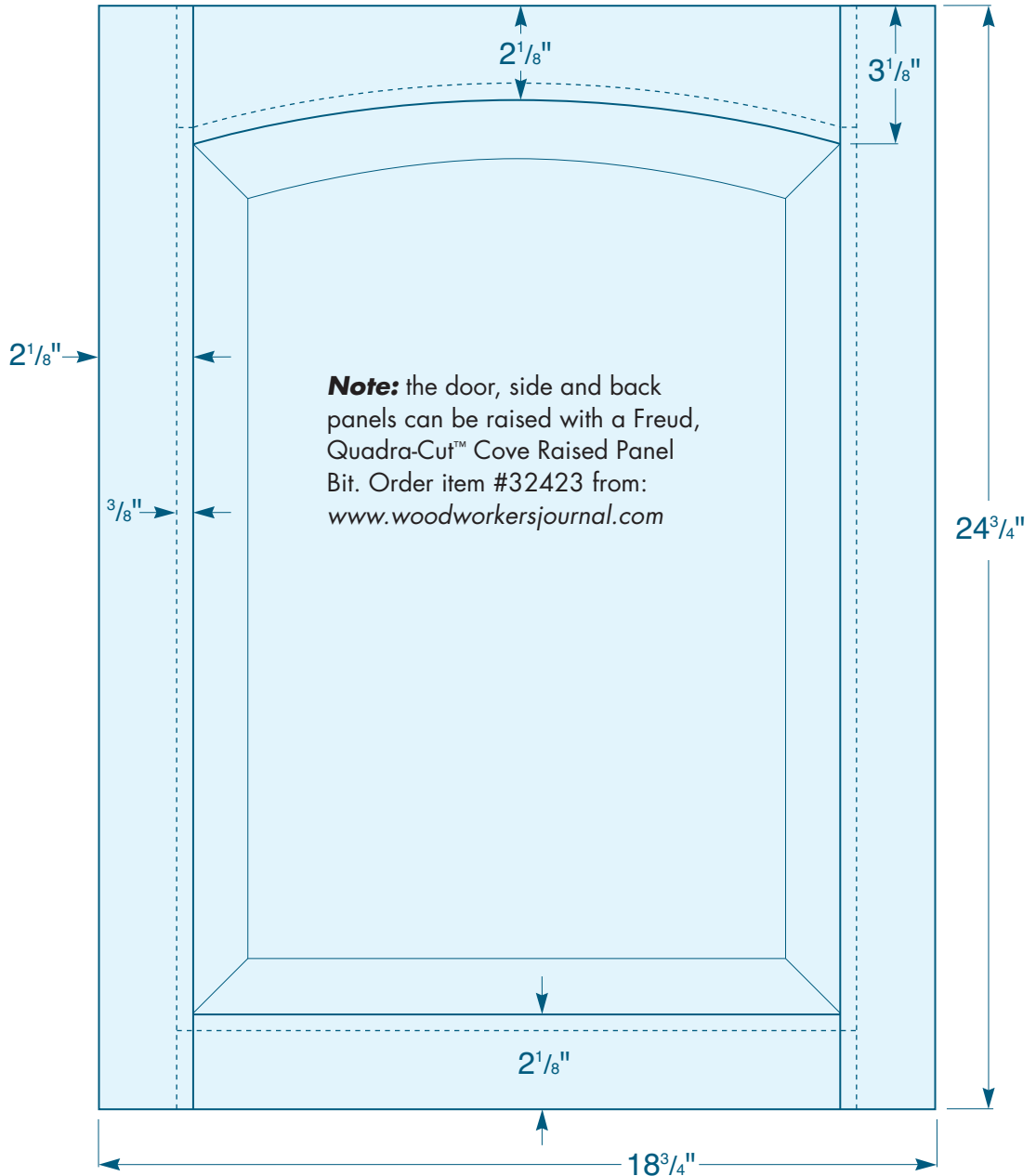
Kitchen Island

Woodworker's Journal: June 2010



Doors

(Front and Top Views)

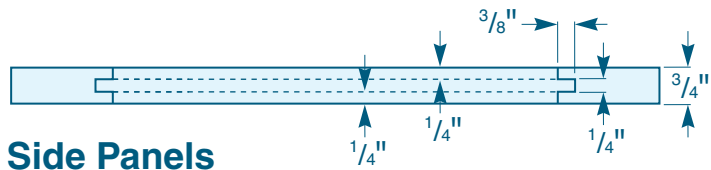


MATERIAL LIST (DOORS)

	T x W x L
1 Stiles (2)	3/4" x 2 1/8" x 24 3/4"
2 Top Rail (1)	3/4" x 3 1/8" x 15 1/4"
3 Bottom Rail (1)	3/4" x 2 1/8" x 15 1/4"
4 Panel (1)	1/2" x 15" x 21"

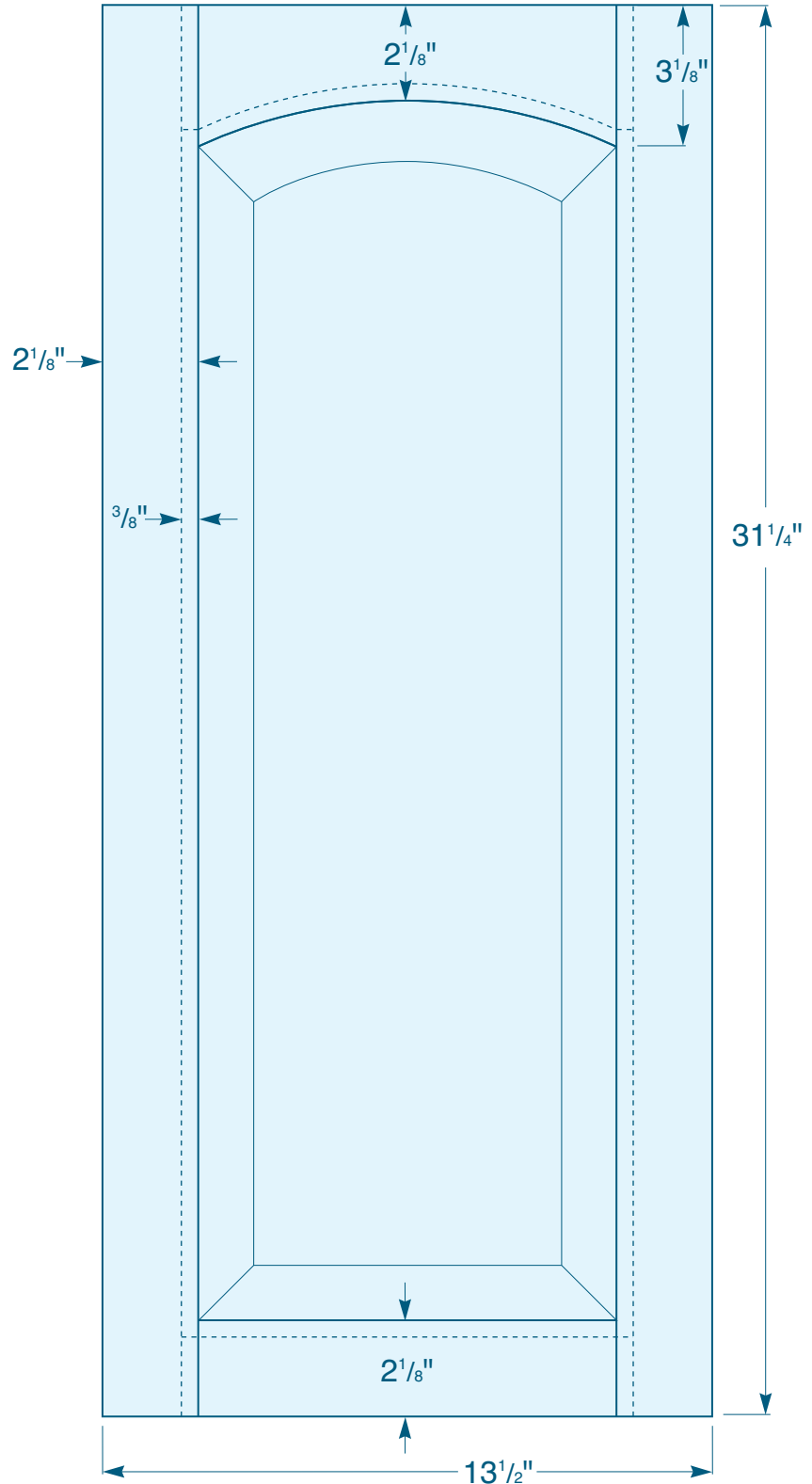
Kitchen Island

Woodworker's Journal: June 2010



Side Panels

(Front and Top Views)

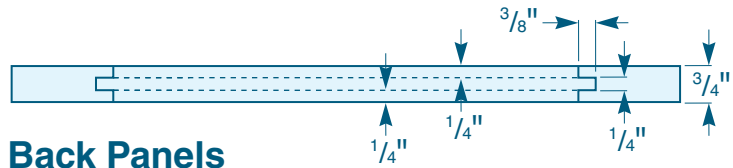


MATERIAL LIST (SIDE PANELS)

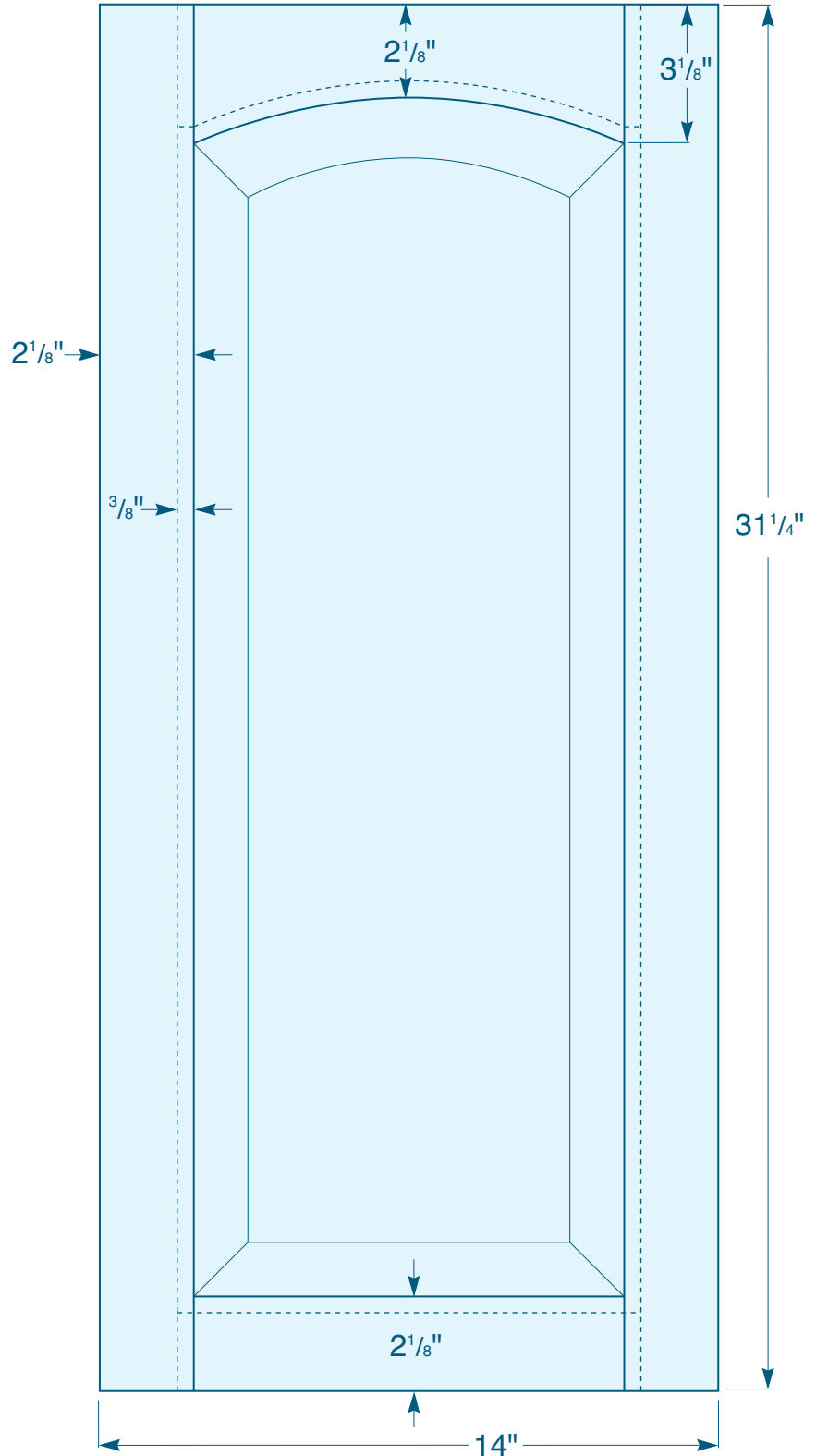
	T x W x L
1 Stiles (2)	3/4" x 2 1/8" x 31 1/4"
2 Top Rail (1)	3/4" x 3 1/8" x 10"
3 Bottom Rail (1)	3/4" x 2 1/8" x 10"
4 Panel (1)	1/2" x 11 3/4" x 29 1/2"

Kitchen Island

Woodworker's Journal: June 2010



Back Panels
(Front and Top Views)



MATERIAL LIST (BACK PANELS)

	T x W x L
1 Stiles (2)	3/4" x 2 1/8" x 31 1/4"
2 Top Rail (1)	3/4" x 3 1/8" x 12 1/2"
3 Bottom Rail (1)	3/4" x 2 1/8" x 12 1/2"
4 Panel (1)	1/2" x 12 1/4" x 29 1/2"