

Rolling Shop Table Supplies

The following supplies are available from Woodworker's Journal.

18-in. Magnetic Tool Holder

#81281 \$17.99

26-in. Drawer Slides

#21361 \$22.99

Kreg Bench Clamp

#29974 \$34.99

To order supplies, call 800-610-0883 and mention code WB105.

Additional Supplies:

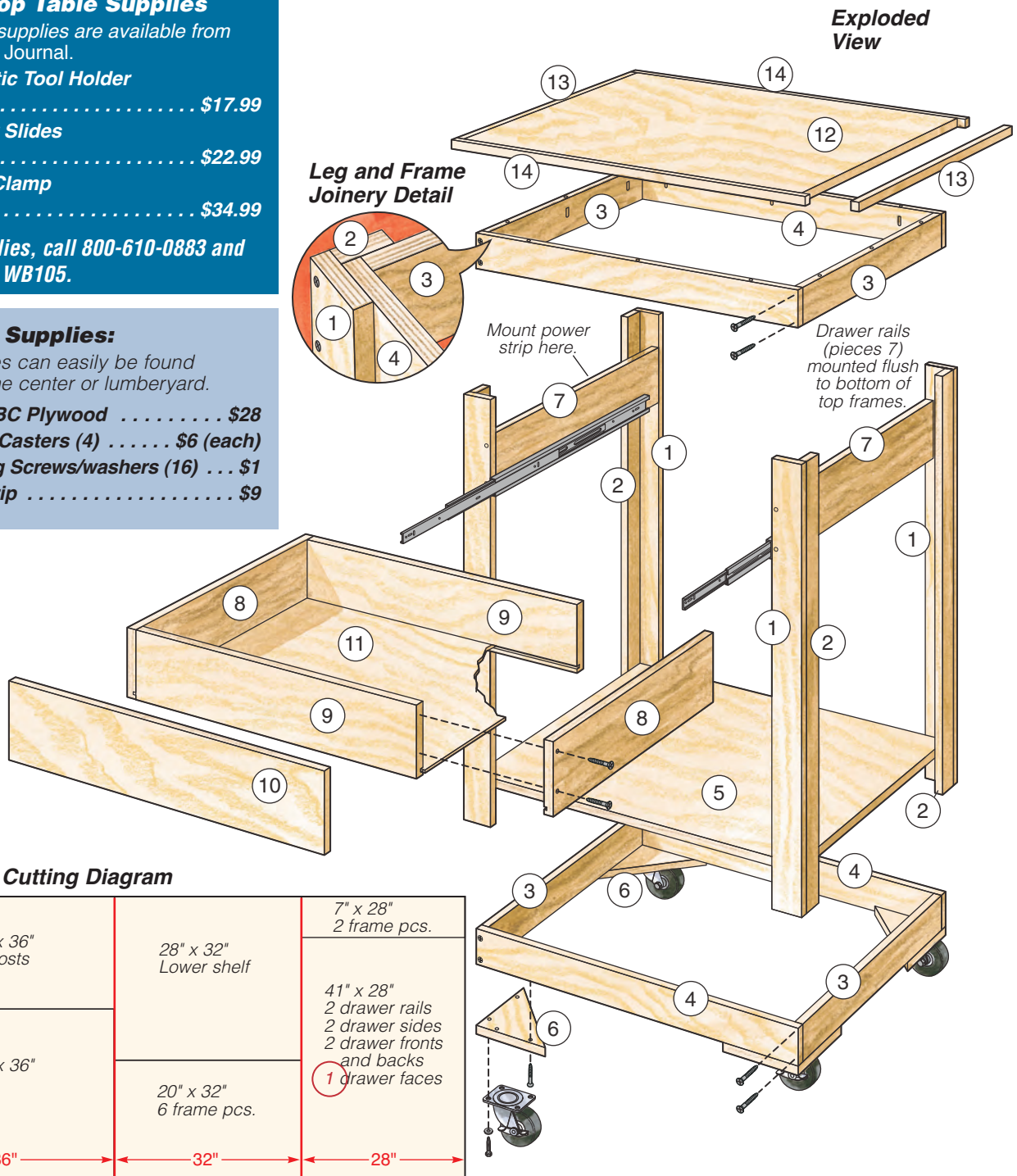
These supplies can easily be found at a local home center or lumberyard.

3/4" x 4' x 8' BC Plywood \$28

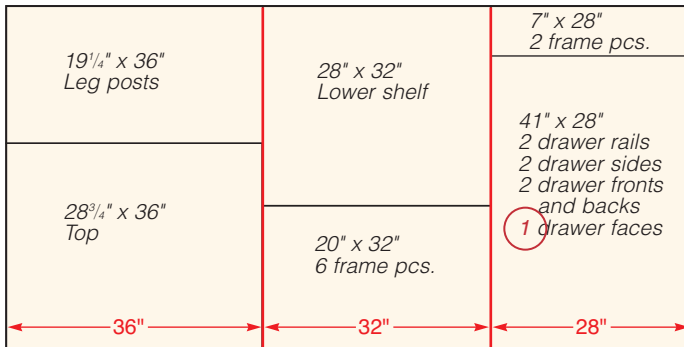
2 1/2" Locking Casters (4) \$6 (each)

1/4" x 1 1/2" Lag Screws/washers (16) ... \$1

Multi-plug strip \$9



Plywood Cutting Diagram



MATERIAL LIST

	T x W x L		T x W x L
1 Wide Leg Pieces (4)	3/4" x 2 3/4" x 36"	8 Drawer Sides (2)	3/4" x 5" x 26"
2 Narrow Leg Pieces (4)	3/4" x 2" x 36"	9 Drawer Front, Back (2)	3/4" x 5" x 25"
3 Short Frames (4)	3/4" x 3" x 25 1/2"	10 Drawer Face (1)	3/4" x 5 1/2" x 27 3/8"
4 Long Frames (4)	3/4" x 3" x 31 1/4"	11 Drawer Bottom (1)	1/4" x 25" x 25 1/2" Hardboard
5 Bottom Shelf (1)	3/4" x 27" x 31 1/4"	12 Top (1)	3/4" x 28 1/2" x 32 3/4"
6 Caster Braces (4)	3/4" x 7" x 28"	13 Short Edge Banding (2)	3/4" x 3/4" x 28 1/2" Pine
7 Drawer Rails (2)	3/4" x 5" x 27"	14 Long Edge Banding (2)	3/4" x 3/4" x 34 1/4" Pine