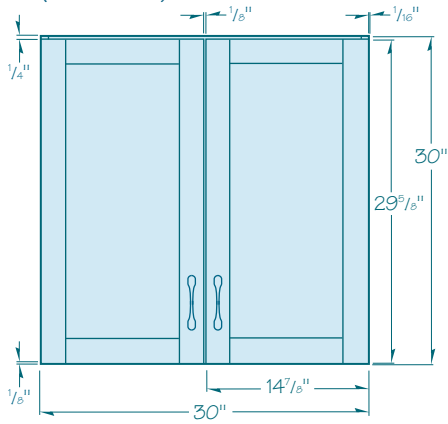
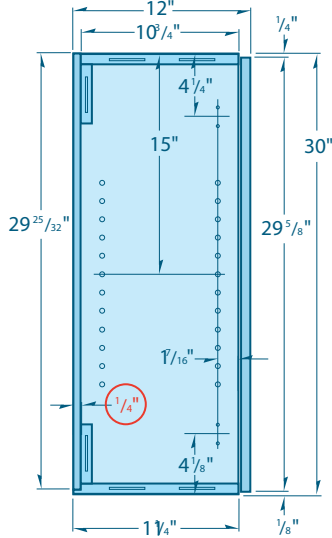


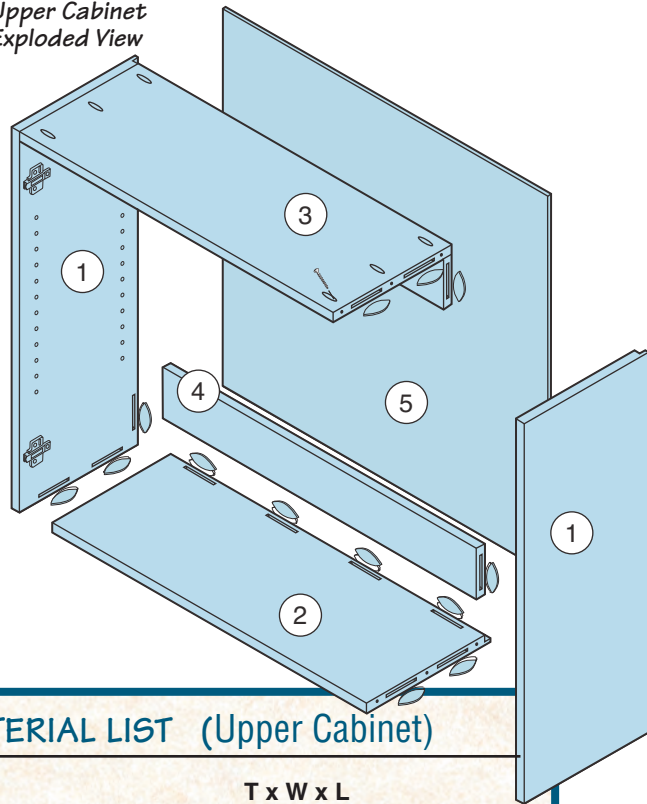
Upper Cabinet Elevation
(Front View)



Upper Cabinet
(Section View)



Upper Cabinet
Exploded View

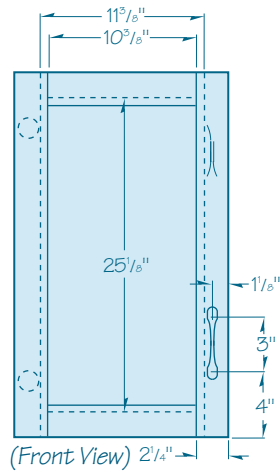
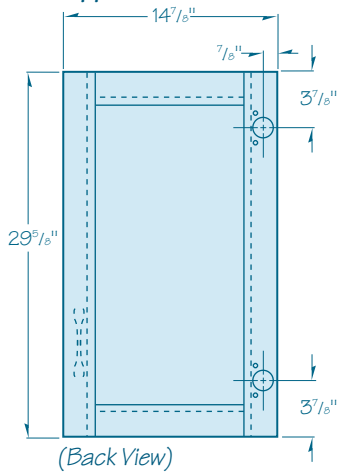


MATERIAL LIST (Upper Cabinet)

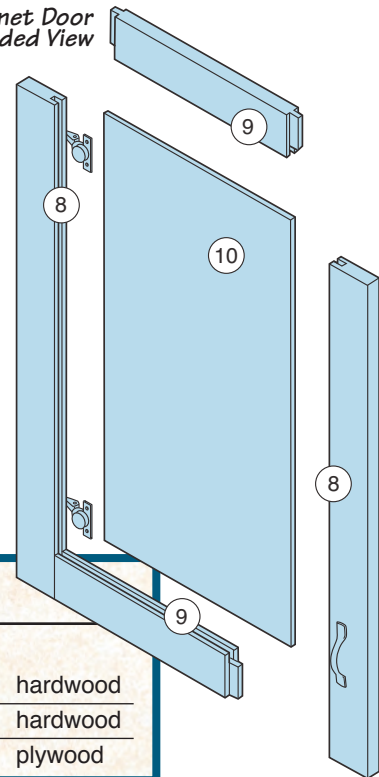
	T x W x L	
1 Sides* (2)	23/32" x 11 1/4" x 30"	plywood
2 Bottom* (1)	23/32" x 11 1/4" x 28 9/16"	plywood
3 Top* (1)	23/32" x 10 3/4" x 28 9/16"	plywood
4 Mounting cleats (2)	23/32" x 4" x 28 9/16"	plywood
5 Back (1)	1/4" x 29 1/2" x 29 3/4"	plywood
6 Shelf (2)	23/32" x 10 1/2" x 28 5/16"	plywood

* The approximate actual thickness of 3/4" plywood.

Upper Cabinet Door Elevations

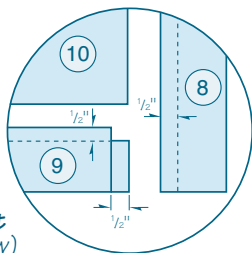


Upper Cabinet Door
Exploded View



MATERIAL LIST (Doors)

	T x W x L	
8 Stiles (4)	3/4" x 2 1/4" x 29 5/8"	hardwood
9 Rails (4)	3/4" x 2 1/4" x 11 3/8"	hardwood
10 Panels (2)	1/4" x 11 3/8" x 26 1/8"	plywood



Door Joint
(Front View)